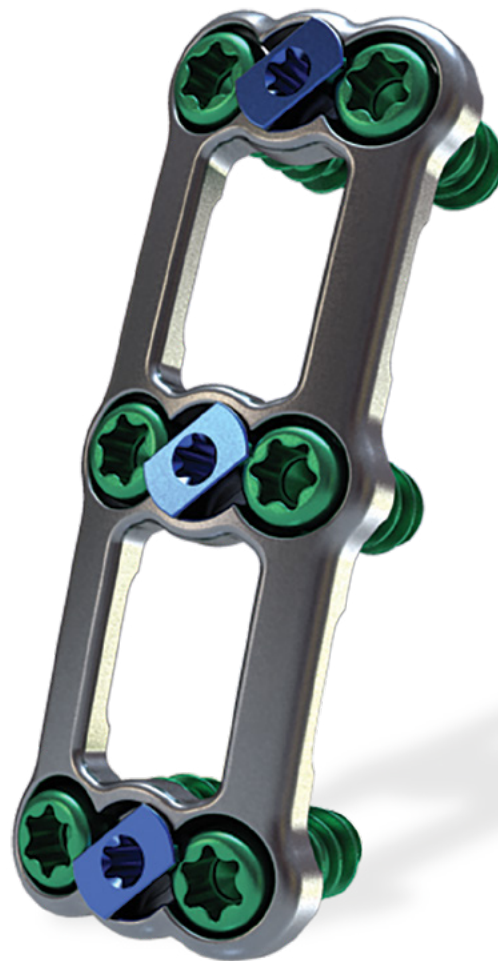


AMBASSADOR[®]

Cervical Plate System

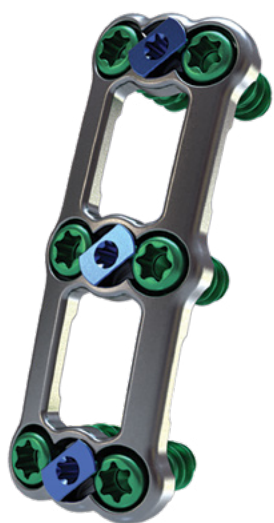




choicespine.com

Table of Contents

INTRODUCTION	4
System Features	4
Plate Placement	6
Screw Insertion	7
Cam Engagement	8
Implant Removal	8
IMPLANT LISTING	9-11
INSTRUMENTS	12



AMBASSADOR[®]

Cervical Plate System

Introduction

The Ambassador® Anterior Cervical Plate System is a versatile system of implants and instruments with a variety of sizes to provide optimal anatomic compatibility. The integrated cam-locking mechanism prevents screw backout.

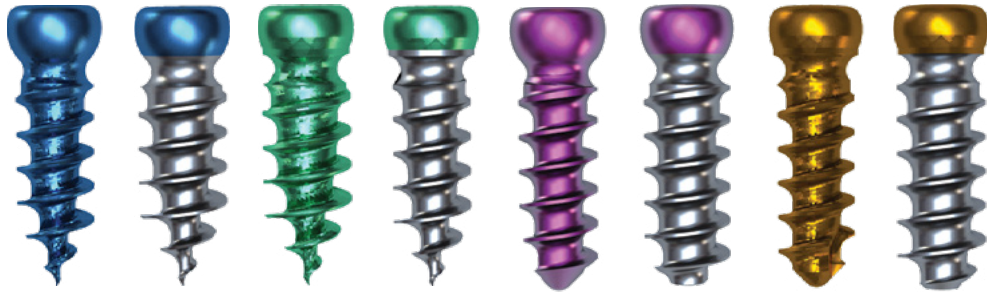
Ambassador features a thin (1.9mm) and narrow (16mm at the widest point) plate profile. The system includes 4.0mm and 4.5mm color-coded screws, variable angle screws, and fixed angle screws.

System Features

- Thin 1.9mm plate profile
- Plate curvature allows for a fit with the natural lordosis of the spine
- Large window for optimal visualization
- Optimized screw purchase
- Narrow plate profile—16mm at widest point
- Cam-Locking mechanism allows for tactile, audio and visual confirmation of screw locking



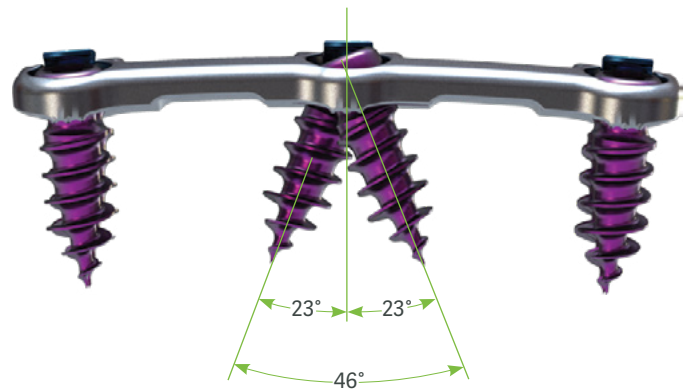
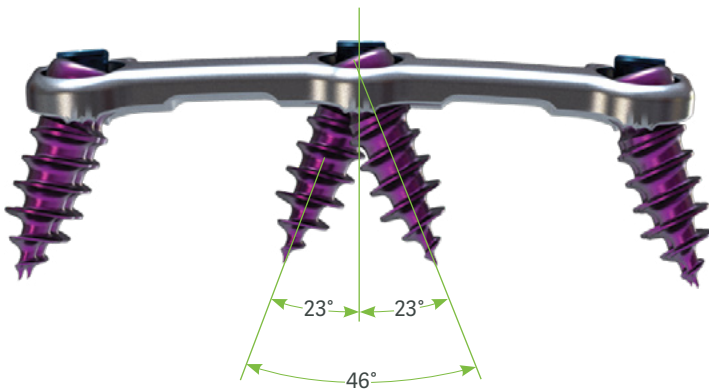
Ambassador Screw Features



- \varnothing 4.0mm Variable and Fixed Self-Drilling/Self-Tapping (10-18mm at 1mm increments)
- \varnothing 4.5mm Variable and Fixed Self-Drilling/Self-Tapping Rescue (10-18mm at 1mm increments)
- Color Coded
- T15 Hexalobe Drive

Variable Angle Screws

- Cranial/Caudal: 46° Range of Motion
- Medial/Lateral: 36° Range of Motion



Fixed Angle Screws

- Cranial/Caudal: 9° Range of Motion
- Medial/Lateral: 15° Range of Motion

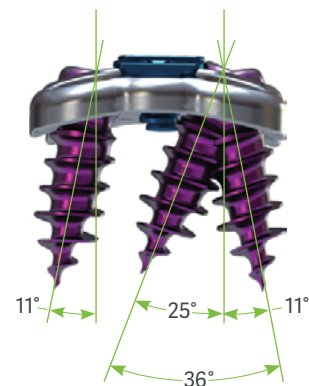


Plate Placement

The Ambassador Anterior Cervical Plates are available in lengths ranging from 10mm to 105mm, for one level through five level procedures. Determine the appropriate plate length. If plate contouring is required, place the plate in the Plate Bender (05-109-09-0000) and squeeze the handles together to create more or less lordosis as required (Figure 1).

Note: 4-5 level plates are by request only; contact Sales Support to order.

The Plate Bender has two positions to create either a lordotic or kyphotic curvature (Figure 2).



Figure 1
Plate Bender

Warning: Repeated bending of the plate may reduce its fatigue life. The plate bender should be placed in the graft window area of the plate and not directly over the cam to avoid damage to the cam.



Lordotic

Kyphotic

Figure 2
Contouring the Plate

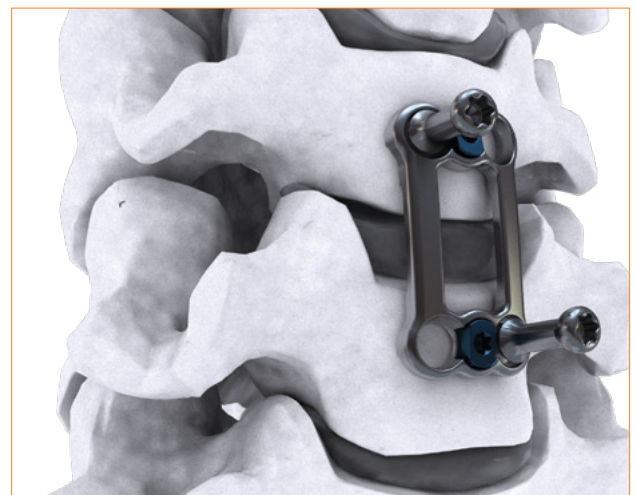


Figure 3
Temporary Plate Securing Pins

Plate fixation may be achieved with the Temporary Plate Securing Pins (05-109-18-0023). Attach the Temporary Plate Securing Pins to the Retaining Screwdriver (05-109-02-2000) and insert into the screw holes in the plate temporarily securing the plate to the vertebral body (Figure 3).

Screw Insertion

The Ambassador® Anterior Cervical Plate system includes a **Single Barrel Drill Guide (05-109-14-0000)** (Figure 4) which holds the plate and provides a guide for the Drill, Tap, and Screw insertion.

NOTE: There are other DTS guides available, please contact Sales Support for more information if needed.

The **Single Barrel Drill Guide** is placed over the screw hole to provide a guide while drilling and inserting screws. Insert the **Awl (05-109-10-0000)** (Figure 5) into the desired bone-screw hole and engage the **Awl** tip to penetrate into the vertebral body. The **Awl** will penetrate 5mm beyond the plate thickness. Self Drilling screws are provided, but if pre-drilling is preferred, attach the **AO Handle (L070-0029)** to the appropriate depth **Drill Bit**, and insert through the **Single Barrel Drill Guide** to drill to the desired depth (Figure 6).



Figure 4
Single Barrel Drill
Guide

After the screw hole is drilled, use the **Retaining Screwdriver** (Figure 7) to insert the screw through the DTS Guide and into the plate (Figure 8). Repeat the steps above for all remaining screws.

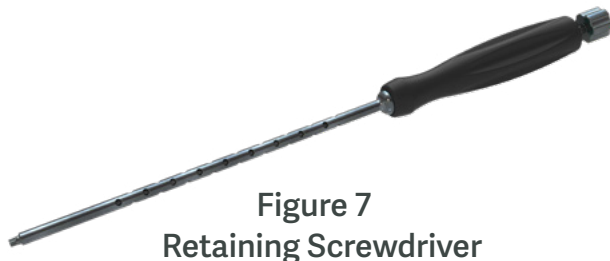


Figure 7
Retaining Screwdriver



Figure 5



Figure 6



Figure 8
Insert the Screws

Cam Engagement

Once all of the screws have been inserted, the cam-locking mechanisms should be rotated clockwise to secure the screws in place. Insert the **Cam Driver (05-109-06-0004)** attached to the **Torque Limiting Handle (05-109-06-0014)** (Figure 9) into the cam on the plate and rotate the cam clockwise until the Torque Limiting Handle torques out (Figure 10). To ensure that the cams are properly engaged, they should fall into the cam engagement range at either 45 - 90 degrees depending on screw angulation. Once the cam bottoms out with the screw, it is in a locked position (Figure 11).



Figure 9
Insert Cam Driver

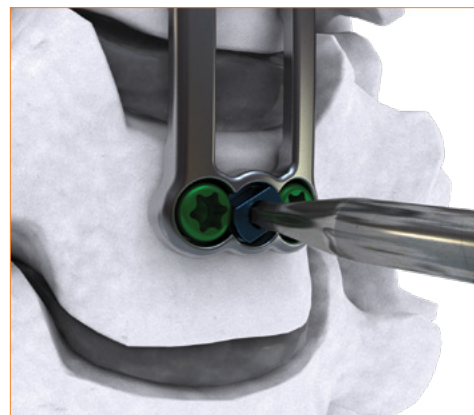


Figure 10
Cam Engagement



0°
Disengaged



45°
Engaged



90°
Engaged

Figure 11
Confirm Cam Position
Cam locking achieved between 45° - 90°.

Implant Removal

To remove the cervical plate, expose the surgical site and clear away all soft tissue and/or bone from the edges of the plate so the screw heads are clearly visualized. First, use the cam driver to turn counterclockwise to unlock cam (Figure 12), and then use the **Split Tip Driver (R070-0018)** attached to the AO Handle to remove the screws from the plate.

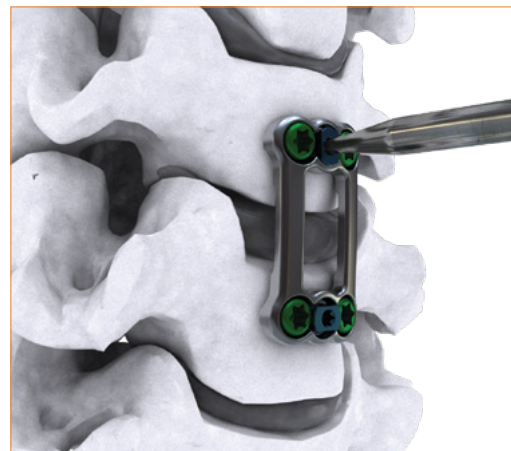


Figure 12

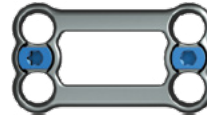
Implant Listing

Catalog Number

05-100-01-0010
 05-100-01-0012
 05-100-01-0014
 05-100-01-0016
 05-100-01-0018
 05-100-01-0020
 05-100-01-0022
 05-100-01-0024
 05-100-01-0026
 05-100-01-0028
 05-100-01-0030

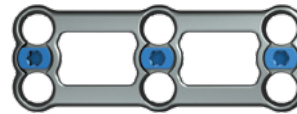
Part Description

One-level Plate - 10mm
 One-level Plate - 12mm
 One-level Plate - 14mm
 One-level Plate - 16mm
 One-level Plate - 18mm
 One-level Plate - 20mm
 One-level Plate - 22mm
 One-level Plate - 24mm
 One-level Plate - 26mm
 One-level Plate - 28mm
 One-level Plate - 30mm



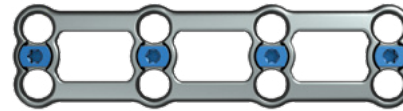
05-100-02-0028
 05-100-02-0030
 05-100-02-0032
 05-100-02-0034
 05-100-02-0036
 05-100-02-0038
 05-100-02-0040
 05-100-02-0042
 05-100-02-0044

Two-level plate - 28mm
 Two-level plate - 30mm
 Two-level plate - 32mm
 Two-level plate - 34mm
 Two-level plate - 36mm
 Two-level plate - 38mm
 Two-level plate - 40mm
 Two-level plate - 42mm
 Two-level plate - 44mm



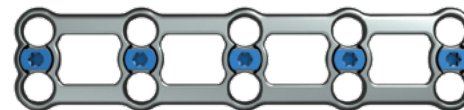
05-100-03-0042
 05-100-03-0045
 05-100-03-0048
 05-100-03-0051
 05-100-03-0054
 05-100-03-0057
 05-100-03-0060
 05-100-03-0063
 05-100-03-0066

Three-level plate - 42mm
 Three-level plate - 45mm
 Three-level plate - 48mm
 Three-level plate - 51mm
 Three-level plate - 54mm
 Three-level plate - 57mm
 Three-level plate - 60mm
 Three-level plate - 63mm
 Three-level plate - 66mm



05-100-04-0056
 05-100-04-0060
 05-100-04-0064
 05-100-04-0068
 05-100-04-0072
 05-100-04-0076
 05-100-04-0080
 05-100-04-0084
 05-100-04-0088

Four-level plate - 56mm
 Four-level plate - 60mm
 Four-level plate - 64mm
 Four-level plate - 68mm
 Four-level plate - 72mm
 Four-level plate - 76mm
 Four-level plate - 80mm
 Four-level plate - 84mm
 Four-level plate - 88mm



(4-Level Plates are optional)

05-100-05-0075
 05-100-05-0080
 05-100-05-0085
 05-100-05-0090
 05-100-05-0095
 05-100-05-0100
 05-100-05-0105

Five-level plate - 75mm
 Five-level plate - 80mm
 Five-level plate - 85mm
 Five-level plate - 90mm
 Five-level plate - 95mm
 Five-level plate - 100mm
 Five-level plate - 105mm



(5-Level Plates are optional)

Implant Listing

Catalog Number

05-100-07-4010
 05-100-07-4011
 05-100-07-4012
 05-100-07-4013
 05-100-07-4014
 05-100-07-4015
 05-100-07-4016
 05-100-07-4017
 05-100-07-4018

Part Description

Variable Self-Drilling/Self-Tapping Screw, 4.0mm x 10mm
 Variable Self-Drilling/Self-Tapping Screw, 4.0mm x 11mm
 Variable Self-Drilling/Self-Tapping Screw, 4.0mm x 12mm
 Variable Self-Drilling/Self-Tapping Screw, 4.0mm x 13mm
 Variable Self-Drilling/Self-Tapping Screw, 4.0mm x 14mm
 Variable Self-Drilling/Self-Tapping Screw, 4.0mm x 15mm
 Variable Self-Drilling/Self-Tapping Screw, 4.0mm x 16mm
 Variable Self-Drilling/Self-Tapping Screw, 4.0mm x 17mm
 Variable Self-Drilling/Self-Tapping Screw, 4.0mm x 18mm



05-100-07-4510
 05-100-07-4511
 05-100-07-4512
 05-100-07-4513
 05-100-07-4514
 05-100-07-4515
 05-100-07-4516
 05-100-07-4517
 05-100-07-4518

Variable Self-Drilling/Self-Tapping Rescue Screw, 4.5mm x 10mm
 Variable Self-Drilling/Self-Tapping Rescue Screw, 4.5mm x 11mm
 Variable Self-Drilling/Self-Tapping Rescue Screw, 4.5mm x 12mm
 Variable Self-Drilling/Self-Tapping Rescue Screw, 4.5mm x 13mm
 Variable Self-Drilling/Self-Tapping Rescue Screw, 4.5mm x 14mm
 Variable Self-Drilling/Self-Tapping Rescue Screw, 4.5mm x 15mm
 Variable Self-Drilling/Self-Tapping Rescue Screw, 4.5mm x 16mm
 Variable Self-Drilling/Self-Tapping Rescue Screw, 4.5mm x 17mm
 Variable Self-Drilling/Self-Tapping Rescue Screw, 4.5mm x 18mm



05-100-08-4010
 05-100-08-4011
 05-100-08-4012
 05-100-08-4013
 05-100-08-4014
 05-100-08-4015
 05-100-08-4016
 05-100-08-4017
 05-100-08-4018

Fixed-Self Drilling/Self-Tapping Screw, 4.0mm x 10mm
 Fixed-Self Drilling/Self-Tapping Screw, 4.0mm x 11mm
 Fixed-Self Drilling/Self-Tapping Screw, 4.0mm x 12mm
 Fixed-Self Drilling/Self-Tapping Screw, 4.0mm x 13mm
 Fixed-Self Drilling/Self-Tapping Screw, 4.0mm x 14mm
 Fixed-Self Drilling/Self-Tapping Screw, 4.0mm x 15mm
 Fixed-Self Drilling/Self-Tapping Screw, 4.0mm x 16mm
 Fixed-Self Drilling/Self-Tapping Screw, 4.0mm x 17mm
 Fixed-Self Drilling/Self-Tapping Screw, 4.0mm x 18mm



05-100-08-4510
 05-100-08-4511
 05-100-08-4512
 05-100-08-4513
 05-100-08-4514
 05-100-08-4515
 05-100-08-4516
 05-100-08-4517
 05-100-08-4518

Fixed Self-Drilling/Self-Tapping Rescue Screw, 4.5mm x 10mm
 Fixed Self-Drilling/Self-Tapping Rescue Screw, 4.5mm x 11mm
 Fixed Self-Drilling/Self-Tapping Rescue Screw, 4.5mm x 12mm
 Fixed Self-Drilling/Self-Tapping Rescue Screw, 4.5mm x 13mm
 Fixed Self-Drilling/Self-Tapping Rescue Screw, 4.5mm x 14mm
 Fixed Self-Drilling/Self-Tapping Rescue Screw, 4.5mm x 15mm
 Fixed Self-Drilling/Self-Tapping Rescue Screw, 4.5mm x 16mm
 Fixed Self-Drilling/Self-Tapping Rescue Screw, 4.5mm x 17mm
 Fixed Self-Drilling/Self-Tapping Rescue Screw, 4.5mm x 18mm



Implant Listing

Catalog Number

05-100-09-4010
 05-100-09-4011
 05-100-09-4012
 05-100-09-4013
 05-100-09-4014
 05-100-09-4015
 05-100-09-4016
 05-100-09-4017
 05-100-09-4018

Part Description

Variable Self-Tapping Screw, 4.0mm x 10mm
 Variable Self-Tapping Screw, 4.0mm x 11mm
 Variable Self-Tapping Screw, 4.0mm x 12mm
 Variable Self-Tapping Screw, 4.0mm x 13mm
 Variable Self-Tapping Screw, 4.0mm x 14mm
 Variable Self-Tapping Screw, 4.0mm x 15mm
 Variable Self-Tapping Screw, 4.0mm x 16mm
 Variable Self-Tapping Screw, 4.0mm x 17mm
 Variable Self-Tapping Screw, 4.0mm x 18mm



05-100-09-4510
 05-100-09-4511
 05-100-09-4512
 05-100-09-4513
 05-100-09-4514
 05-100-09-4515
 05-100-09-4516
 05-100-09-4517
 05-100-09-4518

Variable Self-Tapping Rescue Screw, 4.5mm x 10mm
 Variable Self-Tapping Rescue Screw, 4.5mm x 11mm
 Variable Self-Tapping Rescue Screw, 4.5mm x 12mm
 Variable Self-Tapping Rescue Screw, 4.5mm x 13mm
 Variable Self-Tapping Rescue Screw, 4.5mm x 14mm
 Variable Self-Tapping Rescue Screw, 4.5mm x 15mm
 Variable Self-Tapping Rescue Screw, 4.5mm x 16mm
 Variable Self-Tapping Rescue Screw, 4.5mm x 17mm
 Variable Self-Tapping Rescue Screw, 4.5mm x 18mm



05-100-10-4010
 05-100-10-4011
 05-100-10-4012
 05-100-10-4013
 05-100-10-4014
 05-100-10-4015
 05-100-10-4016
 05-100-10-4017
 05-100-10-4018

Fixed Self-Tapping Screw, 4.0mm x 10mm
 Fixed Self-Tapping Screw, 4.0mm x 11mm
 Fixed Self-Tapping Screw, 4.0mm x 12mm
 Fixed Self-Tapping Screw, 4.0mm x 13mm
 Fixed Self-Tapping Screw, 4.0mm x 14mm
 Fixed Self-Tapping Screw, 4.0mm x 15mm
 Fixed Self-Tapping Screw, 4.0mm x 16mm
 Fixed Self-Tapping Screw, 4.0mm x 17mm
 Fixed Self-Tapping Screw, 4.0mm x 18mm



05-100-10-4510
 05-100-10-4511
 05-100-10-4512
 05-100-10-4513
 05-100-10-4514
 05-100-10-4515
 05-100-10-4516
 05-100-10-4517
 05-100-10-4518

Fixed Self-Tapping Rescue Screw, 4.5mm x 10mm
 Fixed Self-Tapping Rescue Screw, 4.5mm x 11mm
 Fixed Self-Tapping Rescue Screw, 4.5mm x 12mm
 Fixed Self-Tapping Rescue Screw, 4.5mm x 13mm
 Fixed Self-Tapping Rescue Screw, 4.5mm x 14mm
 Fixed Self-Tapping Rescue Screw, 4.5mm x 15mm
 Fixed Self-Tapping Rescue Screw, 4.5mm x 16mm
 Fixed Self-Tapping Rescue Screw, 4.5mm x 17mm
 Fixed Self-Tapping Rescue Screw, 4.5mm x 18mm



Instrument Tray Top

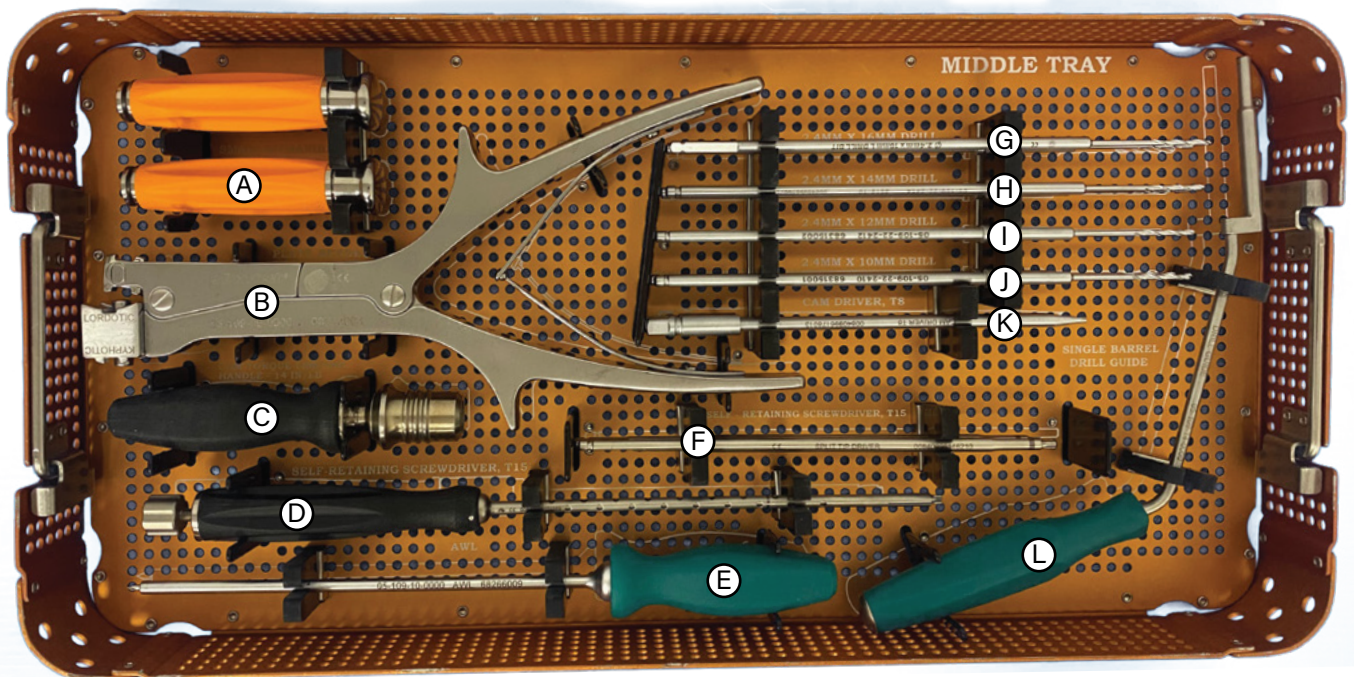


A One & Two-Level Plate Caddy

B Three-Level Plate Caddy

C Screw Caddy

Instrument Tray Middle



A Small A/O Axial Handles (x2) L070-0029

E Awl 05-109-10-0000

I Drill, 12mm 05-109-22-2412

B Plate Bender 05-109-09-0000

F Split Tip Driver R070-0018

J Drill, 10mm 05-109-22-2410

C Cam Torque Limiting Handle 05-109-06-0014

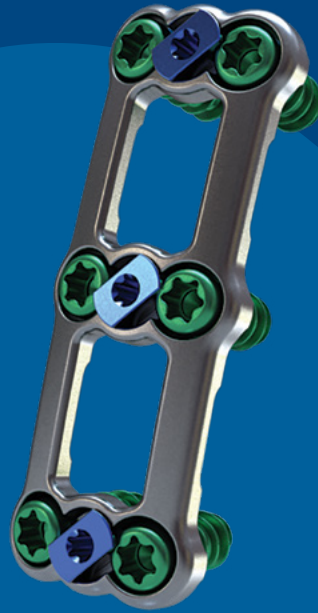
G Drill, 16mm 05-109-22-2416

K Cam Driver 05-109-06-0004

D Self-Retaining Screwdriver w/Handle 05-109-02-2000

H Drill, 14mm 05-109-22-2414

L Drill Guide, Single Barrel 05-109-14-0000



AMBASSADOR[®]

Cervical Plate System

Spine the Right Way.[™]



400 Erin Drive, Knoxville, TN 37919 | O: 865.246.3333 | F: 865.246.3334 | choicespine.com